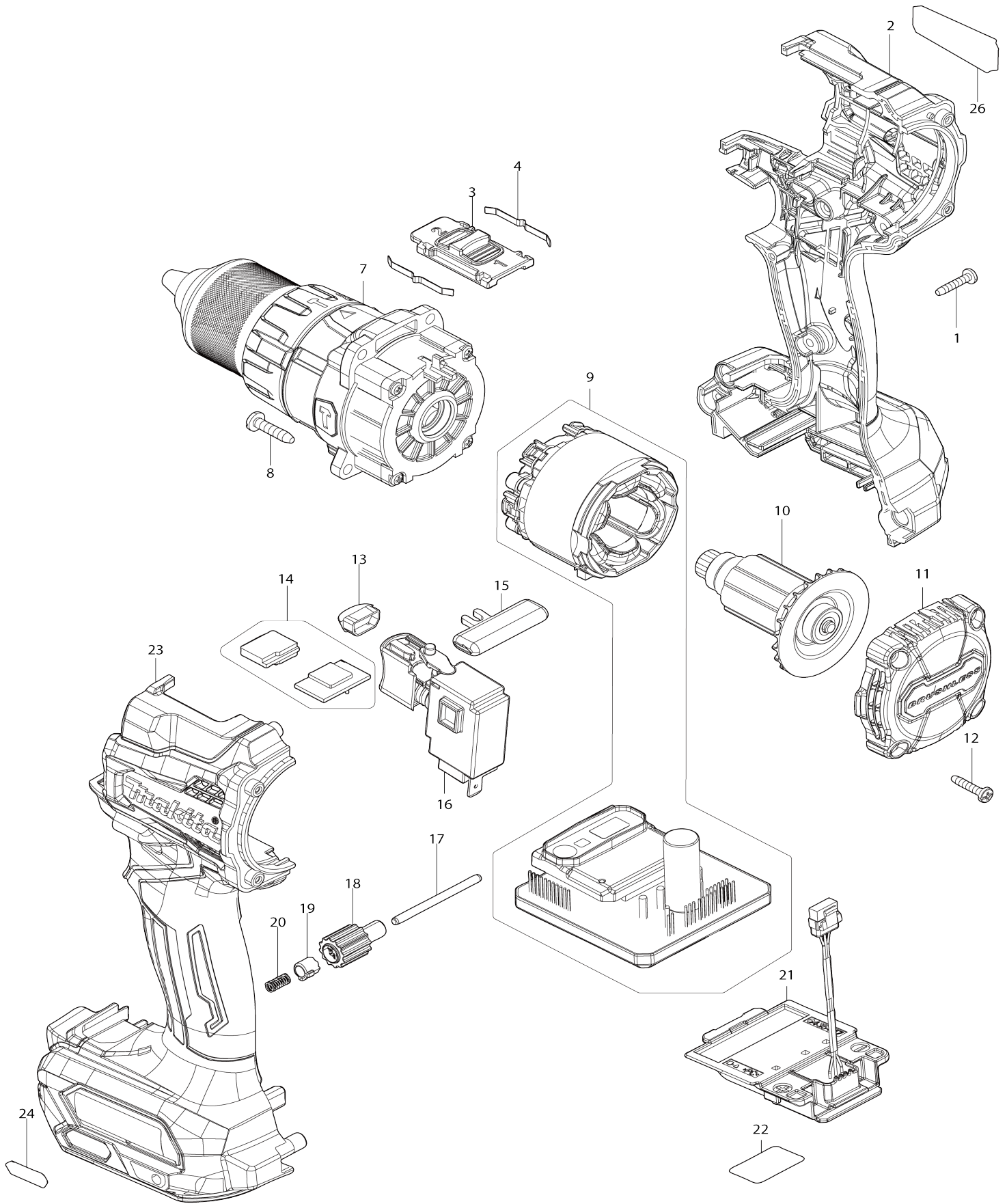


Model No. HP001G CORDLESS HAMMER DRIVER DRILL

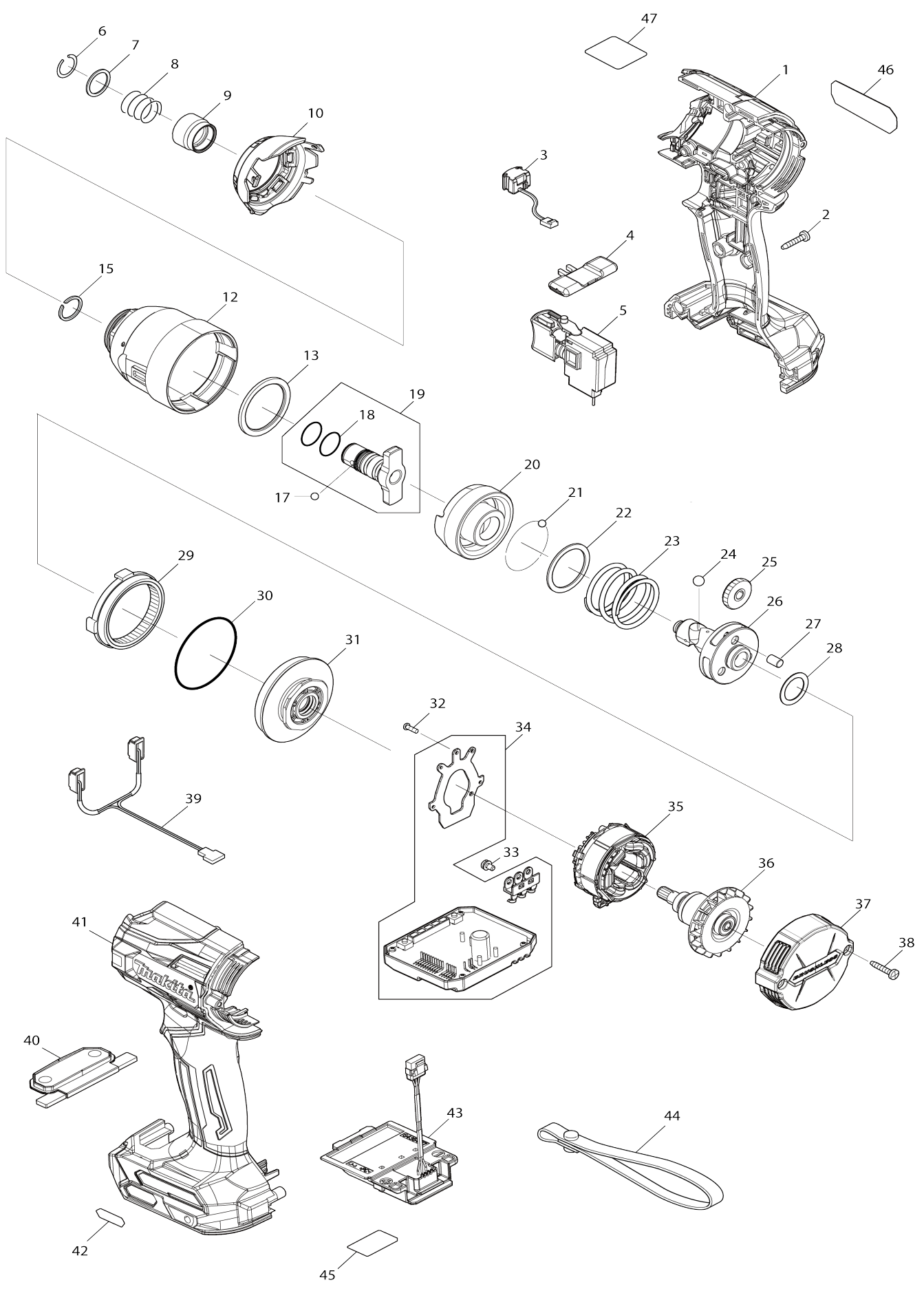


Model No.HP001G CORDLESS HAMMER DRIVER DRILL

Item No.	Parts No.	Description
001	266130-9	TAPPING SCREW BIND PT 3X16
002	183N73-3	HOUSING SET
C10	263005-3	RUBBER PIN 6
C20	252126-6	HEX. LOCK NUT M4-7
C30	422569-8	SPONGE SHEET
002		INC. 23
002-1	183S37-7	HOUSING SET
C10	263005-3	RUBBER PIN 6
C20	252126-6	HEX. LOCK NUT M4-7
C30	422569-8	SPONGE SHEET
002-1		INC. 23
003	127494-5	SPEED CHANGE LEVER ASSEMBLY
C10	233438-6	COMPRESSION SPRING 4
004	232220-0	LEAF SPRING
007	136229-3	KEYLESS DRILL CHUCK ASS'Y
007-1	136359-0	KEYLESS DRILL CHUCK ASS'Y
C10	763252-1	KEYLESS DRILL CHUCK 13
C20	127727-8	GEAR ASSEMBLY
C30	251468-5	- FLAT HEAD SCREW M6X22
007-2	136405-9	KEYLESS DRILL CHUCK ASS'Y
C10	763252-1	KEYLESS DRILL CHUCK 13
C20	122A40-5	GEAR ASSEMBLY
C30	251468-5	- FLAT HEAD SCREW M6X22
008	266326-2	TAPPING SCREW 4X18
009	629476-8	STATOR COMPLETE
C10	8009H0-8	SWITCH LABEL
010	619613-2	ROTOR
010-1	619613-2	ROTOR
011	412361-0	REAR COVER
012	266130-9	TAPPING SCREW BIND PT 3X16
013	620549-0	LED CIRCUIT
014	620C81-2	SENSOR CIRCUIT
015	419041-9	F/R CHANGE LEVER
016	651443-5	SWITCH C3JR-4B
017	256949-4	ROD 3
018	140R76-4	DIAL COMPLETE
019	313288-6	DIAL CAM
020	232597-3	COMPRESSION SPRING 3
021	632P49-4	TERMINAL UNIT
022	856S98-7	HP001G SERIAL NO. LABEL
023	183N73-3	HOUSING SET
C10	263005-3	RUBBER PIN 6
C20	252126-6	HEX. LOCK NUT M4-7
C30	422569-8	SPONGE SHEET
023		INC. 2
023-1	183S37-7	HOUSING SET
C10	263005-3	RUBBER PIN 6

C20	252126-6	HEX. LOCK NUT M4-7
C30	422569-8	SPONGE SHEET
023-1		INC. 2
024	8007R2-2	XGT LOGO LABEL
026	856S91-1	HP001G NAME PLATE
A01	127551-9	GRIP ASSEMBLY
C10	140S65-5	ARM R COMPLETE
C20	140S66-3	POLE COMPLETE
C30	266886-4	HEX. BOLT M8X65
C40	319966-6	ARM L
C50	962055-2	RETAINING RING (INT) R-15
C60	265785-7	THUMB SCREW M5X10
C70	931202-6	HEX. NUT M5
A01-1	122D08-9	GRIP ASSEMBLY
C10	140S65-5	ARM R COMPLETE
C20	140S66-3	POLE COMPLETE
C30	266886-4	HEX. BOLT M8X65
C40	319966-6	ARM L
C50	962055-2	RETAINING RING (INT) R-15
C60	265C34-0	THUMB SCREW M5X10
C70	931202-6	HEX. NUT M5
A02	251314-2	+ TRUSS HEAD SCREW M4X12
A03	346317-0	HOOK
A04	784637-8	+ - BIT 2-45
A05	452947-8	BIT HOLDER
A06	122576-8	STOPPER POLE ASS'Y
A07	412393-7	BATTERY COVER
A08	***DC40RA	DC40RA FAST CHARGER
A08		COMPO-PARTS
A09	191B36-3	BATTERY BL4025 SET
A09	191B26-6	BATTERY BL4040 SET
A10	821551-8	CONNECTOR PLASTIC CASE (TYPE3)
C10	453974-8	LATCH
A11	835F93-2	INNER TRAY
A12	8010K2-4	HP001GD201 INDICATION LABEL
A12	8010L2-1	HP001GM201 INDICATION LABEL
A13	8010K3-2	HP001GD201 PLASTIC CASE LABEL
A13	8010L3-9	HP001GM201 PLASTIC CASE LABEL

Model No.TD001G CORDLESS IMPACT DRIVER



Model No.TD001G CORDLESS IMPACT DRIVER

Item No.	Parts No.	Description
001	183P56-5	HOUSING SET
C10	263005-3	RUBBER PIN 6
C20	252126-6	HEX. LOCK NUT M4-7
C30	422616-5	SPONGE SHEET
001		INC. 41
001-1	183P56-5	HOUSING SET
C10	263005-3	RUBBER PIN 6
C20	252126-6	HEX. LOCK NUT M4-7
001-1		INC. 41
002	266130-9	TAPPING SCREW BIND PT 3X16
003	632L84-8	SWITCH UNIT
004	455053-8	F/R CHANGE LEVER
005	651442-7	SWITCH C3JR-1A-1
006	231952-6	RING SPRING 12
007	267101-9	FLAT WASHER 14
008	232592-3	COMPRESSION SPRING 14
009	327531-7	BIT SLEEVE
009-1	327960-4	BIT SLEEVE
010	136171-8	HAMMER CASE COVER ASSY
C10	422269-0	BUMPER
012	140R47-1	HAMMER CASE COMPLETE
C10	210177-5	BALL BEARING 68/14LLU
C20	267063-1	FLAT WASHER 18
C30	962113-4	RETAINING RING R-24
013	261160-5	NYLON WASHER 30
015	259075-8	RETAINING RING(EXT) WR-14
017	216001-0	STEEL BALL 3.5
018	213118-0	O RING 12
019	136205-7	ANVIL M ASS'Y
019		INC. 18
020	327525-2	HAMMER
021	216001-0	STEEL BALL 3.5
022	267342-7	FLAT WASHER 26
023	232591-5	COMPRESSION SPRING 25
024	216013-3	STEEL BALL 6
025	226960-0	SPUR GEAR 24
025-1	227915-8	SPUR GEAR 24
025-2	227926-3	SPUR GEAR 24
026	327524-4	SPINDLE
027	268311-1	PIN 5
028	267194-6	FLAT WASHER 15
029	226961-8	INTERNAL GEAR 56
030	213892-0	O-RING 43
031	140R48-9	BEARING BOX COMPLETE
032	266490-9	TAPPING SCREW PT 2X6
033	652069-6	FLAT HEAD SCREW M3X6
034	620B96-3	CONTROLLER

035	629464-5	STATOR
036	619605-1	ROTOR
037	412339-3	REAR COVER
038	266130-9	TAPPING SCREW BIND PT 3X16
039	620B97-1	LED CIRCUIT
040	140R54-4	SWITCH PLATE COMPLETE
C10	8011F4-1	SWITCH LABEL
041	183P56-5	HOUSING SET
C10	263005-3	RUBBER PIN 6
C20	252126-6	HEX. LOCK NUT M4-7
C30	422616-5	SPONGE SHEET
041		INC. 1
041-1	183P56-5	HOUSING SET
C10	263005-3	RUBBER PIN 6
C20	252126-6	HEX. LOCK NUT M4-7
041-1		INC. 1
042	8007R2-2	XGT LOGO LABEL
043	632P49-4	TERMINAL UNIT
045	856V15-5	TD001G SERIAL NO. LABEL
046	856V08-2	TD001G NAME PLATE
A01	266622-8	+ TRUSS HEAD SCREW M4X12
A02	346317-0	HOOK
A04	412393-7	BATTERY COVER
A05	191B36-3	BATTERY BL4025 SET
A05	191B26-6	BATTERY BL4040 SET
A06	***DC40RA	DC40RA FAST CHARGER
A06		COMPO-PARTS
A07	821550-0	CONNECTOR PLASTIC CASE (TYP E2)
C10	453974-8	LATCH
A08	8011K5-4	TD001GD201 PLASTIC CASE LABEL
A08	8011L2-7	TD001GM201 PLASTIC CASE LABEL
A09	8011K4-6	TD001GD201 INDICATION LABEL
A09	8011L1-9	TD001GM201 INDICATION LABEL
A10	835F94-0	INNER TRAY
A12	784044-5	+BIT2-50
F04-1	191F58-7	TOOL HANGER SET